



An independent family business since 1867

Midilift XLplus

Vertical platform lift with traction drive and cabin (shaft by others)
For enclosed lift shaft see separate data sheet.

Stannah

Specifications:

Rated Load: 400kg
Rated Speed: 0.15m/s
Maximum Travel: 12m
Maximum number of stops: 5
Internal height of cabin enclosure: 2m
Controls: Latched call controls as standard.

Cabin Size (CW x CD)	Dim 'CW'	Dim 'CD'
	1100	1400
Footprint (FW x FD)	Dim 'FW'	Dim 'FD'
	1510	1600
Aperture (+10/-0) (AW x AD)	Dim 'AW'	Dim 'AD'
	1560	1650
Door Opening/Swing (A/B)	Dim 'A'	Dim 'B'
	900	1010

Notes:

- All dimensions in mm unless stated.
- 2500mm minimum floor to floor is required for entrances above each other on the same side.
- Adjacent entry only available at lower & intermediate floors.
- Headroom of 2500 is required at the upper level (same for all travels).
- If pit cannot be formed a ramp is available as an optional extra.
- Min. lintel height required for standard door closers = 2150mm. Min. lintel height for a powered fire door closer = 2250mm (add 70mm to either dim if ramp option is being used - this applies only to the lower floor).
- Part M (England & Wales) and section 4.2 of the Technical Handbook (Scotland) compliant.
- Range of cabin finishes available, please contact us for further information.
- This option is intended for use where it is to be enclosed in a lift shaft provided by the builder. The lift structure and internal faces of the lift shaft will be visible through door vision panels when the lift is away from floor level, especially lifts fitted with panoramic doors. Internal faces of the lift shaft must be suitably finished prior to commencing lift installation.

Electrical Requirements:

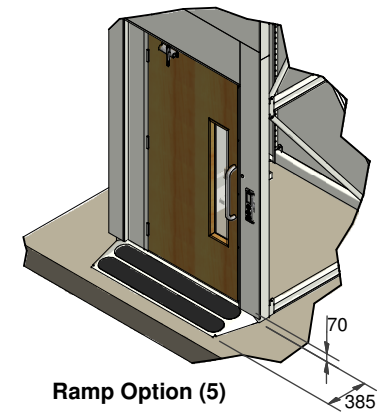
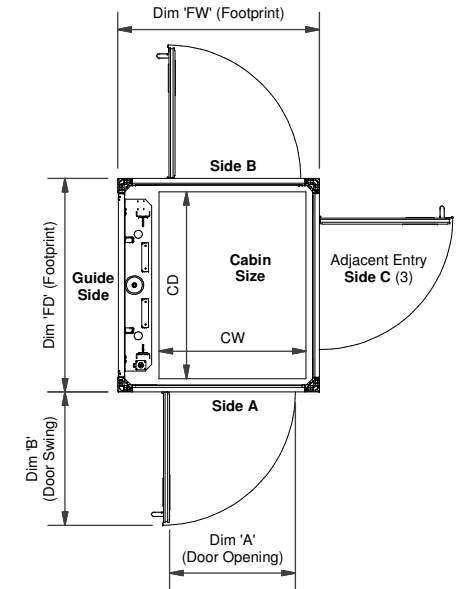
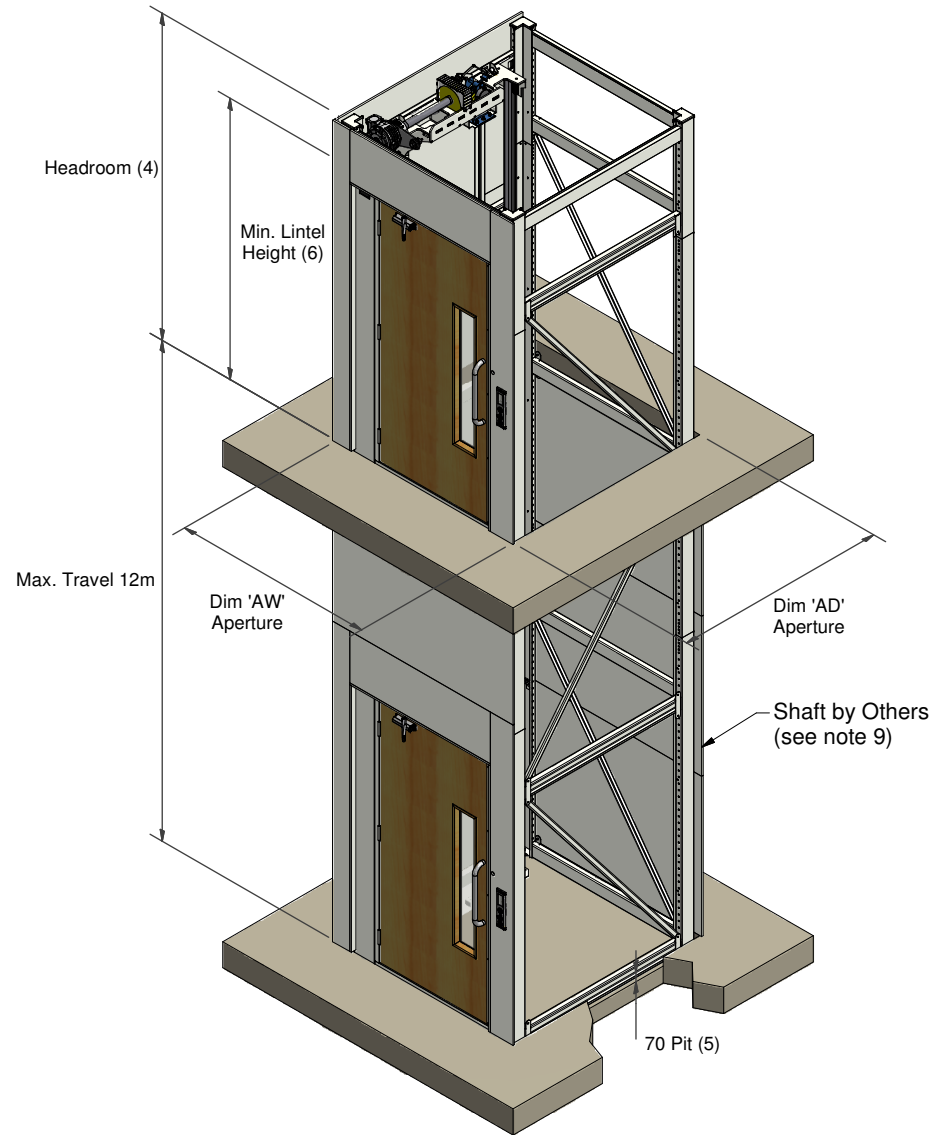
- Provide a dedicated single phase supply protected by a 10amp type D MCB. The lift supply is to terminate in a lockable isolator at a position shown on builders work diagram.
- Provide a 13amp electrical outlet socket adjacent to the lift installations at all levels. The supply to these sockets is **not** to be derived from the lift supply detailed in note 8 above
- Ensure that lighting at all landing levels is not less than 50lux.

Fixings:

- The lift is fixed to the floor at the base of the enclosure. Fixings are also required at other points, the exact location depends on travel and configuration. Please contact us to discuss further.

Control Equipment:

- The drive unit and electrical control equipment are housed within the lift shaft at the upper floor landing



Waiver

The data sheet is for guidance only & must not be used for proper working drawings. Please contact us for particular details before proceeding. Owing to our policy of continual improvement, we reserve the right to alter specifications & dimensions without prior notice.

Stannah Lifts Ltd.
Anton Mill, Andover,
Hampshire, SP10 2NX
Tel: 01264 339090
www.stannahlifts.co.uk

Information sheet
XL 802
09/11/2012